

Summary Of Design Features

Medium Duty Hydraulic
Rotary Actuators

AMMD Series

- STANDARD TORQUE RANGE FROM 900LBS - INS (101NEWTON METERS), TO 600,000LBS - INS (67,568 NEWTON METERS) AT 3,000 P.S.I. PRESSURE
- MAXIMUM WORKING PRESSURE 3,000 P.S.I. (210 BAR)
- TEST PRESSURE 4,500 P.S.I. (315 BAR)
- STANDARD ANGLES OF ROTATION 90°, 180°, AND 360° OTHER ANGLES ARE OFFERED AS OPTIONAL
- TOLERANCE ON ANGLE OF ROTATION -0° TO +2°.
- AVERAGE ANGULAR BACKLASH 15 MINUTES
- LEAKAGE - INTERNAL ZERO cubic centimetres
EXTERNAL ZERO cubic centimetres
- KEYWAY ORIENTATION IS SHOWN AT MID-STROKE.
- BREAKAWAY PRESSURE 100 P.S.I. (7 BAR)
- ADJUSTABLE CUSHIONING OPTIONAL
- ADJUSTABLE END STOPS OPTIONAL
- STANDARD KEYWAY DIMENSION TO BS4235

Product improvement is a basic A.M. Hydraulics policy ... all dimensions are subject to change without notice. Certified dimensional prints available with order

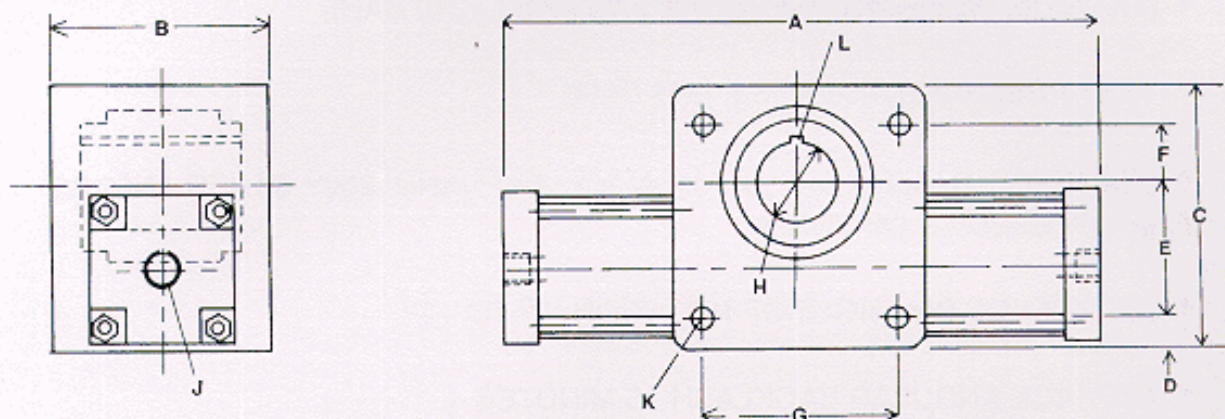
Keeping
Industry moving



A.M. HYDRAULICS
Unit 3, Hockley Brook Trading Estate
South Road Avenue, Hockley
Birmingham B18 5JR
Telephone: 0121-554 7576
Fax: 0121-554 4640

DATA SHEET AMMD/E

Single Rack



MODEL NUMBER	TORQUE lbs - ins @3000 PSI	RACK STYLE	ROTATION DEGREES	Out. DISPLACEMENT	L	A	B	C	D	E	F	G	H	J BSP	K
AM 9	900	SINGLE	90	0.57	6x6	243	80	87	11.5	33.5	30.5	80	22	1/4	M8 x 1.25
			180	1.12											
			360	2.24											
AM 3.75	3,750	SINGLE	90	2.22	8x7	318	95	118	12.6	57.4	35.4	83	25	1/4	M10 x 1.5
			180	4.44											
			360	8.88											
AM 15	15,000	SINGLE	90	9.1	14x9	495	130	172	19.5	85.5	47.5	150	50	1/2	M12 x 1.75
			180	18.00											
			360	36.00											
AM 75	75,000	SINGLE	90	46.10	20x12	675	190	251	19	146	67	165	70	3/4	M20 x 2.5
			180	92.30											
			360	184.10											
AM 300	300,000	SINGLE	90	178.00	25x14	1090	320	385	31.5	206.5	115.5	330	95	1	M30 x 3.5
			180	354.00											
			360	709.00											

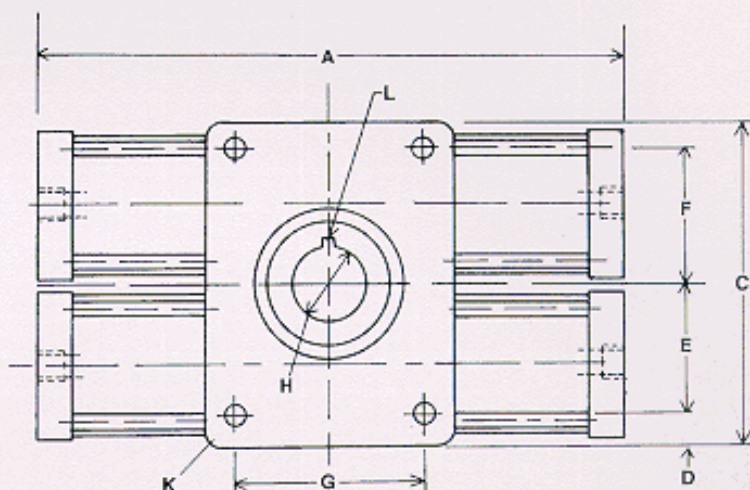
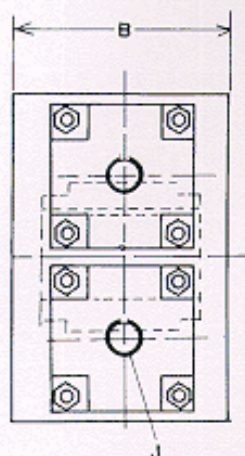
Product improvement is a basic A.M. Hydraulics policy ... all dimensions are subject to change without notice. Certified dimensional prints available with order

Keeping
Industry moving



A.M. HYDRAULICS
Unit 3, Hockley Brook Trading Estate
South Road Avenue, Hockley
Birmingham B18 5JR
Telephone: 0121-554 7576
Fax: 0121-554 4640

Twin Rack



MODEL NUMBER	TORQUE lbs - ins @ 3000 PSI	RACK STYLE	ROTATION DEGREES	Oil DISPLACEMENT	L	A	B	C	D	E	F	G	H	J BSP	K	
AM1.8	1,800	TWIN	90	1.14	6x6	243	80	90	11.5	33.5	33.5	60	22	1/4	M8	
			180	2.24												x
			360	4.48												1.25
AM 7.5	7,500	TWIN	90	4.44	8x7	316	95	140	12.8	57.4	57.4	83	25	1/4	M10	
			180	8.87												x
			360	16.71												1.5
AM 30	30,000	TWIN	90	18.20	14x9	495	130	210	19.5	85.5	85.5	150	50	1/2	M12	
			180	36.00												x
			360	72.00												1.75
AM 150	150,000	TWIN	90	92.00	20x12	675	190	330	19	146	146	165	70	3/4	M20	
			180	184.00												x
			360	366.00												2.5
AM 600	600,000	TWIN	90	356.00	25x14	1090	320	476	31.5	206.5	206.5	330	95	1	M30	
			180	708.00												x
			360	1418.00												3.5

Product improvement is a basic A.M. Hydraulics policy ... all dimensions are subject to change without notice. Certified dimensional prints available with order

Keeping
Industry moving



A.M. HYDRAULICS
Unit 3, Hockley Brook Trading Estate
South Road Avenue, Hockley
Birmingham B18 5JR
Telephone: 0121-554 7576
Fax: 0121-554 4640